



ISO 9001-14001
OHSAS 18001

नॉर्थ ईस्टर्न इलेक्ट्रिक पावर कॉर्पोरेशन लिमिटेड
North Eastern Electric Power Corporation Limited
(भारत सरकार का उद्यम) / (A Govt. of India Enterprise)
135 मे.वा. अगरतला गैस टरबाइन कंबाइन साइकिल पावर प्लांट
135 MW Agartala Gas Turbine Combined Cycle Power Plant
अनुबंध एवं खरीद: प्रचालन स्कंध/Contract & Procurement /Operation Wing
रामचन्द्र नगर, त्रिपुरा (प) / Ramchandra Nagar, Tripura (W) - 799008



NOTICE INVITING TENDER

No. 10 /NEEPCO /AGTCCPP /C&P /2017-18 Dated 09.06.2017

Sealed tenders in prescribed tender forms under single bid system with 120 (One Hundred Twenty) days validity are invited from experienced contractors for the following work :

1. **Work** : Providing, fitting and fixing of chain link fencing along the backside of GT power house of AGTCCPP, NEEPCO Ltd., Tripura West.
2. **Estimated value** : ₹ 1,20,830.00 (Rupees One Lakh Twenty Thousand Eight Hundred Thirty)only.
3. **Earnest Money** : ₹ 2400/- (Rupees Two Thousand Four Hundred) only in the form of Demand Draft drawn in favour of ' NEEPCO Ltd. ' payable at ' Agartala ' from any Nationalized / Scheduled Bank.
4. **Time of completion** : 30(Thirty) days from the date of issue of Work Order.
5. **Tender Document Fee** : ₹ 200/- (Rupees Two Hundred) only in the form of Demand Draft drawn in favour of ' NEEPCO Ltd. ' payable at 'Agartala' from any Nationalized / Scheduled Bank.
6. **Sale of Tender Document** : With effect from 09.06.17 except on holidays during 1000 to 1600 Hours from the Office of the undersigned.
7. **Time and Date of submission of Tender** : Up to 1300 Hours (IST) of 10.07.2017 at the Office of the undersigned.
8. **Time and Date of opening of Tender** : At 1500 Hours (IST) of 10.07.2017 at the Office of the undersigned in presence of the bidders or their authorized representatives, if any. In case 10.07.2017 is a holiday, the tender shall be opened on the next working day at 1500 Hours (IST).
9. **Qualification & Experience** : Experience of having successfully completed similar nature or allied works during last 7 (Seven) years should be either of the following :

i) Three similar completed works costing not less than the amount equal to 40% of the estimated cost.

OR

ii) Two similar completed works costing not less than the amount equal to 50% of the estimated cost.

OR

iii) One similar completed work costing not less than the amount equal to 80% of the estimated cost.

Note: Similar works for (i), (ii) & (iii) above mean Building/Road Works.

Copy of Bidders PAN Card, Service Tax registration, EPF registration & Labour Licence are to be submitted along with the application.

Application requesting for purchase of tender documents should invariably accompany the documentary evidence satisfying the condition as listed at Sl. 9 (i), (ii) & (iii) above and requisite fee for tender documents.

10. Special Condition:

The intending bidders are requested to visit the worksite to assess the requirement of the work before submission of their tenders.

Other Terms and Conditions:

11. Bidders shall have to quote the rates in the rate sheet (Bill of Quantities and Schedule of Rates) enclosed with the tender papers.
12. Rates quoted by the bidders shall be inclusive of all taxes and duties etc. as applicable but excluding the Service Tax which will be reimbursed on production of documentary evidence.
13. In case of delay in execution of the work, $\frac{1}{2}$ % (Half percent) of the value of the work shall be recovered from the bill per week of delay subject to maximum of 10% (Ten percent) of the value of the work.
14. Contractor shall submit the **EPF Registration Number**, if already had, otherwise **EPF deduction** in respect of both employees and employer's contribution will be made from their bill(s) as per existing relevant norms. However, this will not relieve the Contractor from his responsibility.
15. Laws, Regulations and Acts pertaining to engagement of Labours, environment protection, Safety etc. shall be applicable.
16. 10% (Ten percent) security deposit will be deducted from the bill(s) for due performance of the work and the same shall be released on expiry of Defect Liability period of 6(six) months from the date of completion. In case, any defect is noticed during the Defect Liability Period, the contractor will have to rectify/correct the same at his cost and risk; else NEEPCO will get the work done at the cost and risk of the Contractor.
17. The Contractor shall have to supply all materials and labours etc. required for the work for successful completion of the same in all respect.
18. In case, the work is not been carried out the work as per specifications or not to the satisfaction of NEEPCO or the Contractor causes any damage to the work or property of NEEPCO or other damages not mentioned herein, NEEPCO shall have the right to recover any amount as considered suitable from the bill/ Security deposit/ any other amount due to the Contractor in NEEPCO.
19. Tenders received by post at the Office of the undersigned within the specified time mentioned above shall be considered for acceptance. NEEPCO shall not be responsible for any delay in reaching the tenders by post or courier service.

NEEPCO reserves the right to issue tender papers and reject any or all the tenders without assigning any reason thereof. The Corporation is also not bound to accept the lowest tender. Issuance of Tender Papers shall not automatically qualify the bidder for the work.

V. W. Wankar
09/06/17

Manager(C), C&P
AGTCCPP, NEEPCO Ltd.

ANNEXURE - ABill of Quantities

Name of the work : Providing, fitting and fixing of chain link fencing along the backside of GT power house of AGTCCPP, NEEPCO Ltd., Tripura West.

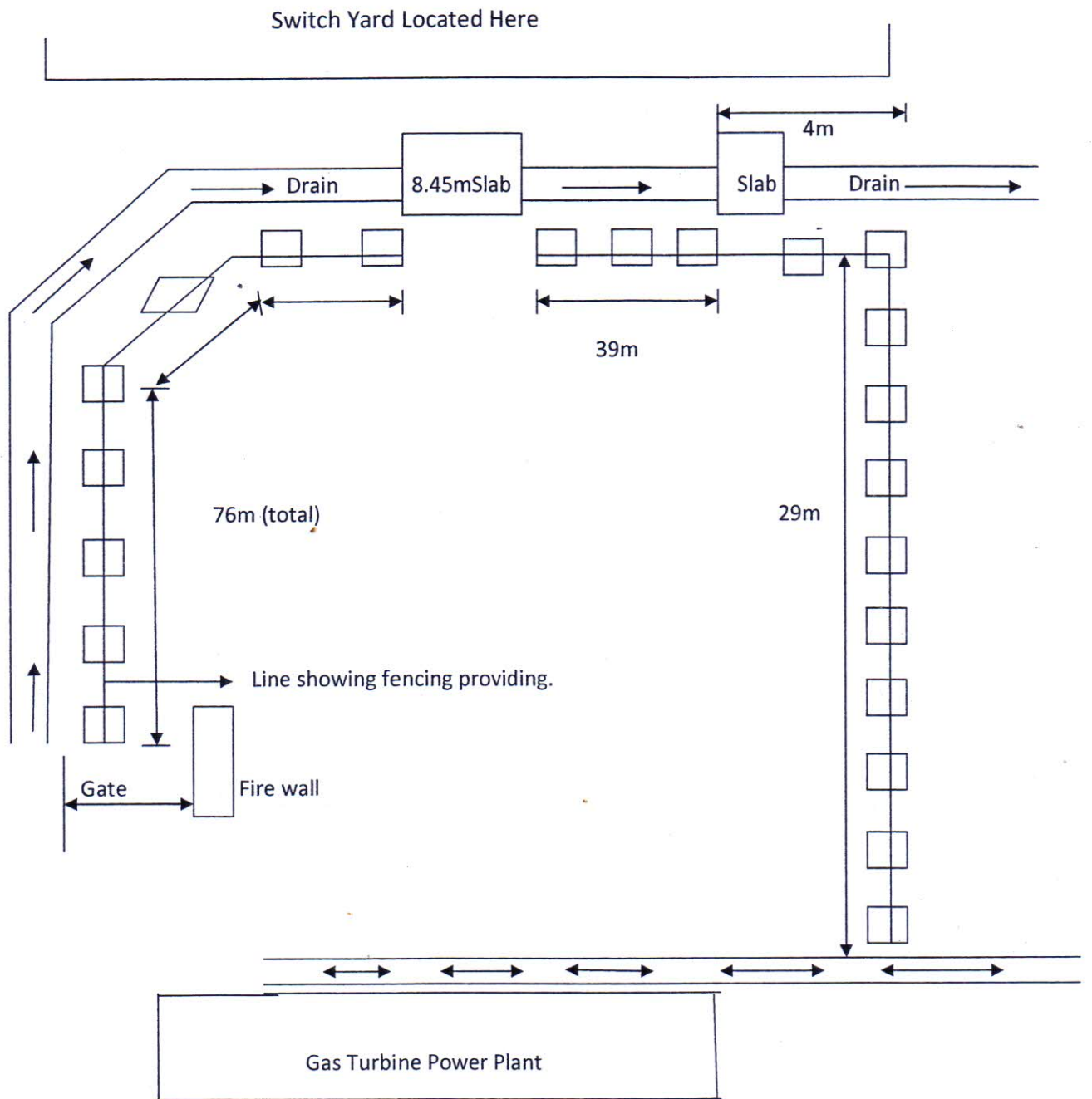
Item No.	Description of the Item	Unit	Qty.	Rate (₹)		Amount (₹)
				In Figure	In Words	
1	Earthwork in exavation over areas exceeding 30cm in depth,1.5m in width as well as 10sqm on plan including disposal of excavated earth lead upto 50m and lift upto 1.5m,disposed earth to be levelled and neatly dressed by manual means.	Cum	4.10			
2	Supplying and filling in plinth, under floor,foundation etc with sand (fine) from local quarry with all lifts including spreading in horizontal layers,watering,grading to required slope,ramming, consolidating and compacting each layer by using plate compactor or by any suitable method complete.	Cum	0.34			
3	Centering and shuttering including struttings, proppings etc. and removal of formwork for foundation, footings, bases for columns.	Sqm	4.56			
4	Providing and laying in position cement concrete of specified grade excluding the cost of centering and shuttering. All works upto plinth level, 1:4:8 (1 cement : 4 fine sand :8 stone aggregate 40mm nominal size)	Cum	0.51			
5	Providing structural steel work in single section fixed with or without connecting plate including cutting, hoisting, fixed in position and applying a priming coat of approved steel primer all complete as required.	Kg	409.79			

U. Nandi
09/04/17

Item No.	Description of the Item	Unit	Qty.	Rate (₹)		Amount (₹)
				In Figure	In Words	
6	Painting with synthetic enamel paint (two or more coats) of required colour of approved brand and manufacture on new work to give an even shade.	Sqm	18.01			
7	Providing and laying in position cement concrete of specified grade excluding the cost of centering and shuttering. All works upto plinth level, 1:1.5:3 (1 cement : 1.5 fine sand : 3 stone aggregate 20mm nominal size).	Cum	3.60			
8	15mm cement paste in single layer including cost of materials required and finishing even and smooth and curing complete 1:4 (1 cement : 4 fine sand).	Sqm	11.40			
9	Neat cement punning.	Sqm	11.40			
10	Providing ,fitting and fixing 1.2m high chainlink fencing of GI wire 4mm dia of mesh size 100×100×4 mm with angle post 45×45×4 mm of standard design placed every 2m apart embedded in cement concrete blocks, corner end and every 10th post to be struttred provided with 3 horizontal lines between two posts fitted and fixed with GI staples tied to the angular iron post with binding wire.	Sqm	177.10			
11	Providing structural steel work riveted,bolted or welded in builtup sections, trusses and frame work including cutting, hoisting and fixing in position and applying a priming coat of approved steel primer.	Kg	3.00			
12	Painting with aluminium paint (two or more coats) of approved brand and manufacture on new work to give an even shade.	Sqm	177.10			

Total ₹
Say ₹

L. Nandi
09/06/17

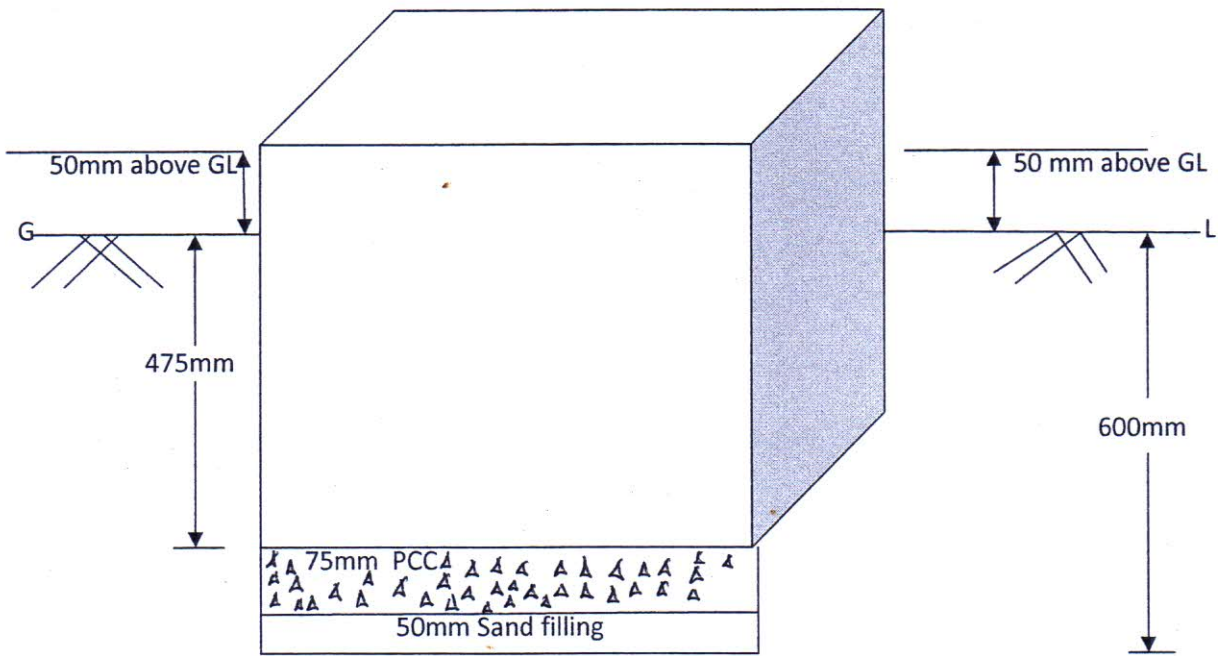


Handwritten signature

*U. Nandi
09/06/17*

Handwritten signature

Fencing posts foundation drawing:

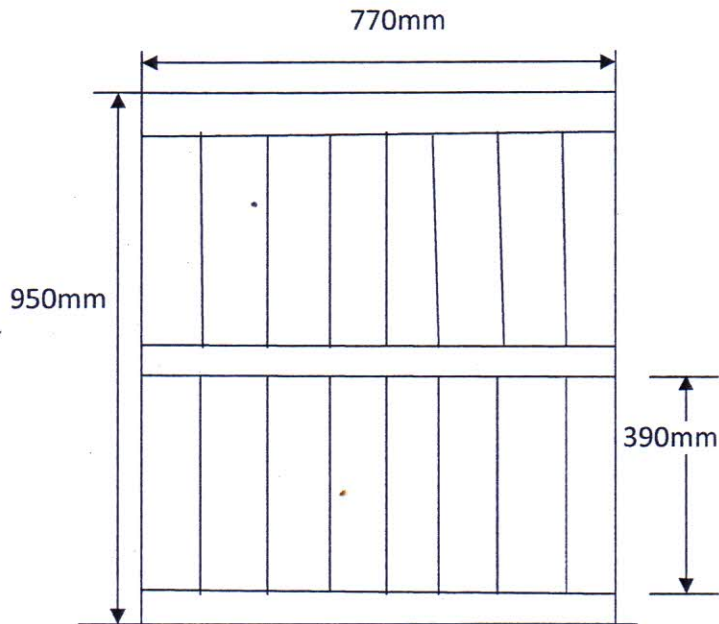


Amali

naif

*U. Wani
09/10/17*

Sectional view of one part of gate:



Notes: 1. The gate should be fixed with two angles of size 50×50×6 mm.

2. Gate should be exactly same as the gate of B type quarter gate.

Handwritten signature

U. W. Wanki
09/06/17

Handwritten signature