



ISO 9001-14001
OHSAS 18001

नॉर्थ ईस्टर्न इलेक्ट्रिक पावर कॉर्पोरेशन लिमिटेड
North Eastern Electric Power Corporation Limited
(भारत सरकार का उद्यम) / (A Govt. of India Enterprise)
135 मे.वा. अगरतला गैस टरबाइन कंबाइंड साइकिल पावर प्लांट
135 MW Agartala Gas Turbine Combined Cycle Power Plant
अनुबंध एवं खरीद: प्रचालन स्कंध/Contract & Procurement /Operation Wing
रामचन्द्र नगर, त्रिपुरा (प) / Ramchandra Nagar, Tripura (W) - 799008



NOTICE INVITING TENDER(E-TENDER)

e-NIT No. 82 /NEEPCO /AGTCCPP /C&P /2017-18 Dated 15.01.2018

Online Sealed bids (Single-Stage Two-Envelope) with 120 (One Hundred Twenty) days validity are invited from eligible bidders for the work of " *Constructing of a retaining wall on a portion on the left side and a portion on the back side of the newly constructed B-Type Quarter of the Colony Complex of AGTCCPP, R. C. Nagar, Tripura (W)* ". Detailed Tender Document containing Terms and Conditions for Bidding including Qualifying Requirement can be down loaded from NEEPCO's online portal <https://neepco.abcpurchase.com>.

Estimated Value : ₹ 2,45,226/- (Rupees Two Lakh Forty Five Thousand Two Hundred Twenty Six) only.

BIDDING PROGRAMME

Participations & Submission of Tenders:

- a) **Portal Registration for e-tendering:** The bidders intending to participate in the e-tendering and to download the detailed bid document have to register themselves in the NEEPCO's e-tendering portal <https://neepco.abcpurchase.com>. The registration once registered shall be valid for one year from the date of activation of profile.

The bidders who have already registered in NEEPCO's e-tendering portal having valid registration need not to register again. However, such bidders are to ensure that their registration is valid till the completion of the entire bidding process of the relevant NIT.

- b) **Portal Registration Fee:** The fees for Bidder Registration in the portal is ₹ 3000.00 (Rupees Three Thousand) only per year (Non Refundable).
- c) **The procedure/ steps to be followed for payment of registration fees by SB-COLLECT of State Bank of India :**

Step 1 : The bidder shall visit url/ web page <https://www.online.com/prelogin/institutiontypedisplay.htm> on any internet browser.

Step 2 : State Bank Collect page will appear.

Select " **ALL India** " for " **State of Corporate/ Institution** " irrespective of location of the sites/ projects/ plants/ establishments where tenders are invited.

Select " **PSU** " for " **Type of Corporate/ Institution** ".

Click " **GO** ".

Step 3 : In the new screen, select PSU Name as " **North Eastern Electric Power Corporation Limited** " and submit.

Step 4 : In the new screen, select Payment Category as " **SHILLONG-PARTIES** ".

Step 5 : New screen will appear. Here, the bidder has to fill all the required information for the payment as under :

- Under **Name of Payer** : The bidder is to fill up his Name and Address.
- Under **Short Details of Payment** : The bidder shall indicate **Registration Fees**.
- Under **Type of Payer** : The bidder is to select **VENDOR** or **CONSULTANT** whichever is applicable.
- Under **CIN in case the Payer is a company** : The bidder is to fill up his CIN in case of a company, otherwise may kept blank.
- Under **Payment Amount** : The bidder is to fill up the amount, i.e. 3000.
- Subsequent information for Name, Date of Birth/ Incorporation, Mobile Numbers are to be filled as required.
- Fill Captcha.
- Then submit.

Step 6 : In the new screen, check the details and click " **CONFIRM** ", if correct.

Step 7 : The **Multi Option Payment System** will be available for making the payment.
The bidder may select option as per convenient and make the payment.

Corporate Identification No.- U40101ML1976GOI1658 Website: www.neepco.co.in
Phone No. 0381-2391292, FAX : 0381-2391268, email : agtpn.onm@gmail.com

Step 8 : After successful payment, the system will generate receipt.

The receipt may also be generated from Reports - i.e. SB Collect (Request Report/ Download Report). This system generated receipt shall be downloaded and send it to the Contract & Procurement Department, NEEPCO, Shillong at e-mail ID : contract_neepco@yahoo.com to advice the service provider for approval of the bidders registration.

Bidders may also contact Sri N. Kithan, Manager(C), C&P Department, NEEPCO, Shilling Mobile No:+91-9436306773, to get confirmation regarding receipt of bidder registration fee.

Step 9 : The vendor has to map the digital certificate(Class-II or Class-III Signing & Encryption Certificate) with his login-id as per the name of the registered company for approval process. For registration and Digital Certificate, the bidders may contact the Service Provider at :

Mr. Himalaya Vaishnav
e-Procurement Technologies Ltd, Ahmedabad
Phone No : +91-7940016866/38/21/18
Mobile No. :+91-9099090830
E-mail : info@abcprocure.com

However, bidders are free to obtain Digital Signature Certificate from any other certification Agencies appointed by the Controller of Certification Agencies(CCA) under the provision of IT Act 2000.

Step 10 : On approval of the bidder in the system, e-mail will be sent by the Service provider to the Company/Bidder regarding their vendor profile activation.

The registration is valid for one year once vendor profile is activated.

- d) For any clarification related to terms and conditions of Bid Documents, bidders are requested to forward e-mail clearly stating their queries at e-mail id : agtpp.onm@gmail.com.
- e) For any clarification related to procedure for bid submission, online furnishing of clarification in e-procurement portal etc., bidders are requested to forward e-mail stating their queries at e-mail id : contract_neepco@yahoo.com, contract@neepco.co.in

Bidders may also contact e-procurement Technologies Ltd.(Service Provider) having the following contact details:

e-Procurement Technologies Ltd.
A-201-208, Wall Street-II/Opp.Orient Club
Nr. Gujarat College/Ellisbridge,
Ahmedabad-380015
Gujarat, India
Tel : +91-79-40016802-77
Cell : +91-9374519754 / 9377988119
E-mail ID : Support@abcprocure.com.

- f) All the bidders are requested to get themselves registered well in advance and no extra time will be considered for submission of bids for the delay in online vendor registration, if any.
- g) **Submission and opening of Bids:** Bidders shall prepare and submit their bids online in e-tendering portal <https://neepco.abcprocure.com>. Online bidding forms will be available in the above website. Submission of online bids is mandatory for consideration of the bids by NEEPCO. Bidders may view the tender opening results of techno-commercial and price bids in <https://neepco.abcprocure.com> by marking their presence for online tender opening.
- h) **Reverse Auction :** NEEPCO reserves the right to go for Reverse Auction process to finalize the tender or may finalize the tender without Reverse Auction, if required. However, the decision to conduct Reverse Auction or not will be conveyed to the short-listed bidders after opening of the bid.
- i) **Important Dates & Bid Validity :**
- (1) Date of commencement of downloading of bid documents from the portal <https://neepco.abcprocure.com> : w.e.f 21:00 Hrs of 15/01/2018.
 - (2) End date & time for downloading of bid document : 13:00 Hrs of 14/02/2018.
 - (3) Last date & time for receipt of bids online: 13:00 Hrs of 14/02/2018.
 - (4) Date & time for opening of bids online: 15:00 Hrs of 14/02/2018.
 - (5) Bid validity : 120 (One Hundred Twenty) days from the date of opening of bids.

In case 14/02/2018 is a holiday, the bid shall be opened on the next working day at the appointed times. Quotations received through any Off-Line Mode shall not be considered.

- j) Bidders are requested to visit e-tendering portal <https://neepco.abcprocure.com>, NEEPCO website <http://www.neepco.co.in> and CPP portal <http://www.eprocure.gov.in> regularly for any modification/ clarification of bid document.
- k) Bidders are requested to adhere to the following :
- (1) Obtain individual Organization Digital Signature Certificate (DSC or DC) well in advance of tender submission deadline on Electronic Tendering System (ETS).
 - (2) Register your organization on ETS well in advance to comply with the stipulated tender timeline.
 - (3) Get your organization's concerned executives trained on ETS well in advance to comply with the stipulated tender timeline.
 - (4) There could be last minute problems due to internet timeout, breakdown etc. Accordingly, the bidders are requested to submit the bid through online e-tendering system well before the bid submission end date and time as per Server System Clock. The Corporation shall not be responsible for any sort of delay or the difficulties faced during the submission of bids online by the bidders at the eleventh hour.
- l) **Earnest Money:** An amount of ₹ 4900/= (Rupees Four Thousand Nine Hundred) only to be submitted along with the offer in the form of Demand Draft Drawn in favour of ' North Eastern Electric Power Corporation Ltd. ' and payable at ' Agartala ' from any Nationalized / Scheduled Bank, failing which their bid shall not be considered. The EMD should reach the office of the undersigned on or before the date of opening of the tender.

If a bidder withdraws the tender while it is under consideration or, after placement of order, the bid security /EMD shall be forfeited along with other action as the Corporation deems fit. The EMD of all unsuccessful bidders shall be returned only after placement of order with the successful bidder.

- m) **Tender fees/ Bid Document Fee:** A non-refundable Tender Fee of ₹ 500/= (Rupees Five Hundred) only shall be submitted in addition to the EMD by the prospective bidders in the form of Demand Draft Drawn in favour of ' North Eastern Electric Power Corporation Ltd. ' and payable at ' Agartala ' from any Nationalized / Scheduled Bank, failing which their bid shall not be considered. The Tender Fee should reach the office of the undersigned on or before the date of opening of the tender.

Address of the undersigned : Sr. Manager(E/M), C&P,
AGTCCPP, NEEPCO Ltd.,
R.C. Nagar, Agartala - 799008, Tripura(W).

- n) **Evaluation of Tender:** The tender shall be opened on 14/02/2018 online. Tenderers' authorized representative shall be permitted to attend the tender opening only on submission of authorization letter. Purchaser will examine the Tender document to determine whether they fulfilled the qualifying requirement, whether they are complete and meet the requirements of this Tender specification. Tender submitted without fulfilling the qualification criteria shall be rejected.

INSTRUCTION TO BIDDER

The intending bidders who fulfill the eligibility / qualifying criteria as given below should participate in the on-line Bidding process. Fulfillment of criteria as mentioned is essential, as non-compliance will lead to rejection of the Bid, without any further communication.

Qualifying Criteria: The bidders must fulfill the following qualifying criteria :

1. The Tenders of the bidders must accompany tender fee and EMD. Without Tender Fee and EMD of requisite amount, the tenders will be rejected.
2. The bidder must have the experience of having successfully completed similar nature or allied works during last 7 (Seven) years in any Govt. of India organization/State Govt. organization /PSU/ reputed private organization. Documentary evidence to that effect shall be submitted.
 - a) Three similar completed works, each of value not less than ₹ 98,000/- .
OR
 - b) Two similar completed works, each of value not less than ₹ 1,23,000/- .
OR
 - c) One similar completed work of value not less than ₹ 1,96,000/- .

(Similar Works means Building/Road Works etc.)

3. Copy of Bidders PAN Card, GST registration, EPF registration & Labour Licence should be submitted along with their bids.

TECHNICAL SPECIFICATION :

- (i) The detailed technical specification of the items included under the scope of the work are as per the BoQ enclosed as **Annexure-A**. The same may also be viewed in the **Price Bid Form** of the tender in the online portal of <https://neepco.abcpco.com>.
- (ii) Unless specifically otherwise mentioned, all the applicable codes and standards published by the Indian Standard Institution and all other standards which may be published by them before the date of receipt of tenders, shall govern in all respects of workmanship, quality and properties of materials and methods of testing, methods of measurements etc. Wherever any reference to any Indian Standard Specifications occurs in the documents relating to this contract, the same shall be inclusive of all amendments issued thereto or revision thereof, if any, up to the date of receipt of tenders. In case there is no I.S.I. specification for the particular work, such work shall be carried out in accordance with the instructions in all respects, and requirements of the Engineer-in-Charge.
- (iii) The work also includes all minor details which may not have been referred to in these documents but are essential for the successful completion of the work in all respect in accordance with standard Engineering practice.

GENERAL TERMS & CONDITIONS:

(All prospective Bidders are requested to go through these instructions carefully)

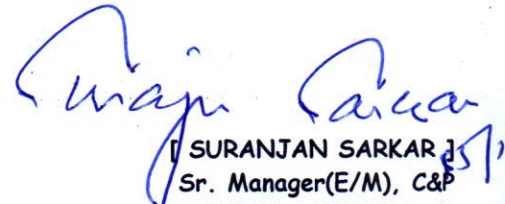
The rate quoted against this e-NIT should be submitted online. The general Terms and Conditions are:

1. **Name of the work** : Constructing of a retaining wall on a portion on the left side and a portion on the back side of the newly constructed B-Type Quarter of the Colony Complex of AGTCCPP, R. C. Nagar, Tripura (W).
2. **Construction Drawing** : The construction drawing is enclosed as Annexure-B. Any additional drawing, if any, which may be required during the progress of work will be issued by the Sr. Manager(C), AGTCCPP and shall be deemed to form an integral part of the contract and the contractor shall be bound to carry out the work as per the construction drawing and any modification thereof.
3. **Time of completion** : The work shall have to be completed within 45 (Forty Five) days from the date of issue of the work order.
4. **Taxes** : Rates quoted by the bidders shall be inclusive of GST.
5. **Liquidity Damage**: In case of delay in execution of the work, $\frac{1}{2}$ % (Half percent) of the value of the work shall be recovered from the bill per week of delay subject to maximum of 10% (Ten percent) of the value of the work.
6. **Force Majeure Condition**: The above clause of liquidated damage shall not be applicable in case of force majeure condition such as Flood, war, civil unrest, natural calamities or acts of God on which the bidder does not have any control.
7. Contractor shall submit the EPF Registration Number, if already had, otherwise EPF deduction in respect of both employees and employer's contribution will be made from their bill(s) as per existing relevant norms. However, this will not relieve the Contractor from his responsibility.
8. Copy of Income Tax PAN and Professional Tax Certificate clearance of current validity are to be submitted along with the bid.
9. Laws, Regulations and Acts pertaining to engagement of Labours, environment protection, Safety etc. shall be applicable.
10. **Payment Terms** :- After completion of work in all respect, bills will be prepared by the Engineer designated by the Sr. Manager(C), AGTCCPP for supervision of the work. For R/A bill, the contractor will have to submit an application to the Sr. Manager(C), AGTCCPP requesting release of the R/A bill and the same will be decided by the Sr. Manager(C), AGTCCPP based upon satisfactory progress of the work. The decision of Sr. Manager(C), AGTCCPP in this regard shall be final and binding on all concerned. Also, for effecting e-payment, bank details are to be submitted for RTGS/ NEFT transfer.
11. The rates of all the items of work after issuance of the work order shall remain firm till the completion of the work in all respect.
12. **Security Deposit** : 10% (Ten percent) security deposit will be deducted from the bill(s) for due performance of the work and the same shall be released on expiry of Defect Liability period of 6(six) months from the date of completion. In case, any defect is noticed during the Defect Liability Period, the contractor will have to rectify/correct the same at his cost and risk; else NEEPCO will get the work done at the cost and risk of the Contractor.

13. The Contractor shall have to supply all materials and labours etc. required for the work for successful completion of the same in all respect.
14. In case, the work is not been carried out the work as per specifications or not to the satisfaction of NEEPCO or the Contractor causes any damage to the work or property of NEEPCO or other damages not mentioned herein, NEEPCO shall have the right to recover any amount as considered suitable from the bill/ Security deposit/ any other amount due to the Contractor in NEEPCO.
15. **Special Condition:** The intending bidders are requested to visit the worksite to assess the requirement of the work before submission of their tenders.
16. Bidders shall submit their bids online in electronic form in <https://neepco.abcprocure.com>. Online bidding forms are available in above website. Manual offline Bids shall not be accepted. However, the document submitted by the bidder must be signed and sealed at each page by the bidder with signature before scanning and uploading.

The bidders are requested to note that participation in the bid shall be taken as acceptance of the terms & conditions as stated above. Bidders are requested to visit the website (<https://neepco.abcprocure.com>) for any future change/ modification/ corrigendum/addendum to this tender. The Corporation reserves the right to change/modify the requirements or to postpone/accept or reject the tender in full or part of this Notice or cancel without assigning any reason thereof and is not bound to accept the lowest offer.

For & on behalf of North Eastern Electric Power Corporation Ltd.


[SURANJANA SARKAR]
Sr. Manager(E/M), C&P
AGTCCPP, NEEPCO Ltd.

ANNEXURE - A

Bill of Quantities

Name of the work : Constructing of a retaining wall on a portion on the left side and a portion on the back side of the newly constructed B-Type Quarter of the Colony Complex of AGTCCPP, R. C. Nagar, Tripura (W).

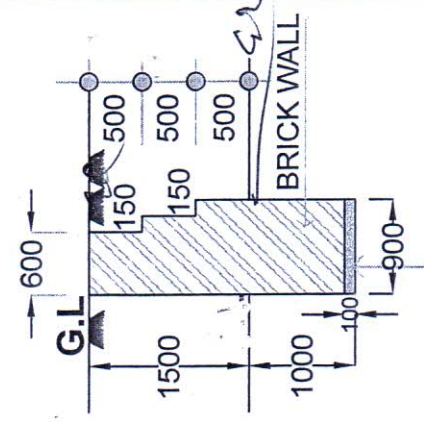
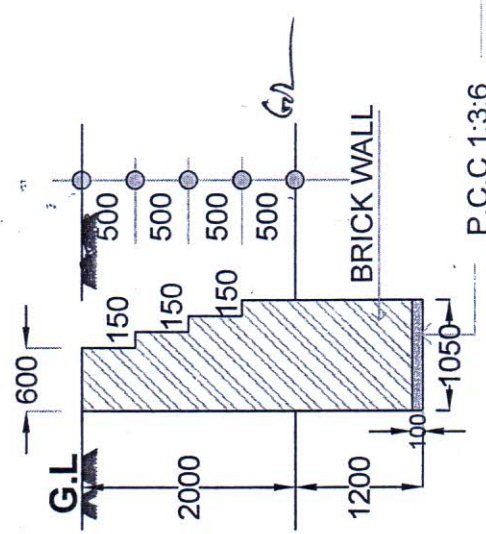
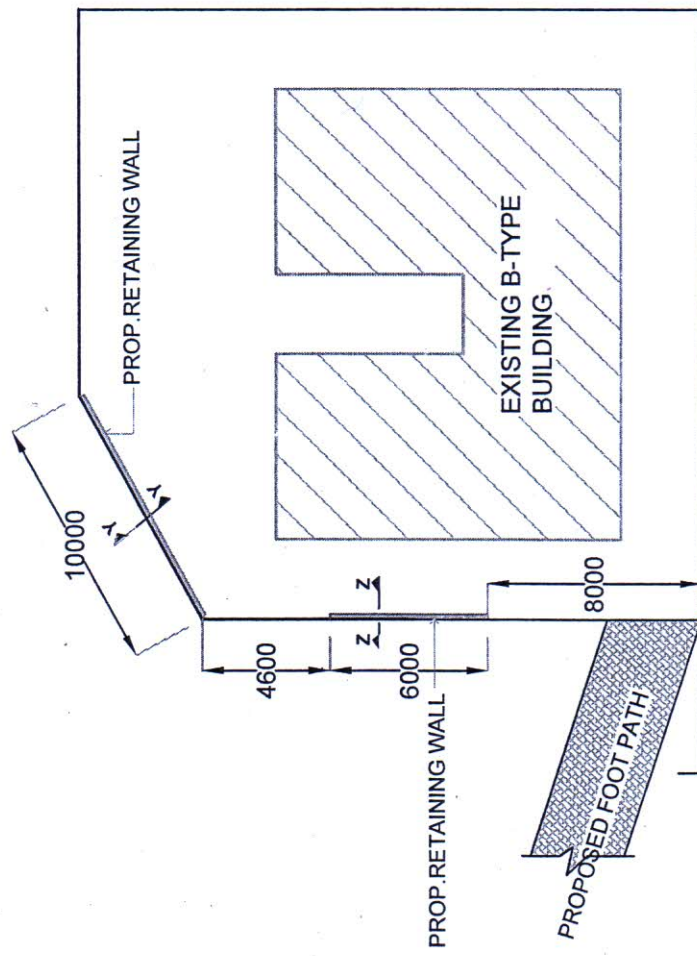
Item No.	Description of the Item	Unit	Qty.	Rate (₹)		Amount (₹)
				In Figure	In Words	
1	Earth work in excavation by mechanical means(hydraulic means excavator / manual means) in foundation trenches or drains (not exceeding 1.5 m in width or 10 sqm on plan) including dressing of sides and ramming of bottoms,lift upto 1.5 m,including getting out the excavated soil and disposal of surplus excavated soil as directed,within a lead of 50 m. All kinds of soil. By manual means.	Cum	19.80			
2	Providing and laying in position specified grade of cement concrete excluding the cost of centring and shuttering - all works upto plinth level: 1:2:4 (1 cement:2 fine sand: 4 graded stone aggregate of 20 mm nominal size).	Cum	1.59			
3	First class brick work in foundation and plinth including cost of all materials required complete.In Cement mortar 1:4 (1 cement : 4 fine sand).	Cum	40.44			
4	12 mm cement plaster in single layer including cost of materials required and finishing even and smooth and curing complete.In cement mortar 1:4 (1 cement : 4 fine sand).	Sqm	44.90			
5	Filling available excavated earth (excluding rock)in trenches, plinth sides of foundation s etc in layers not exceeding 20 cm in depth , consolidating each deposited layer by ramming and watering lead upto 50 m and lift upto 1.5 m. All kinds of soil.	Cum	33.63			

Total ₹

Say ₹



ANNEXURE - B



	NORTH EASTERN ELECTRIC POWER CORPORATION AGRTALA GAS TURBINE PLANT (EXTENSION PROJECT)	
	PLAN SHOWING PROPOSED RETAINING WALL FOR B-TYPE BUILDING AT AGTCCPP.	
ISO 9001-14001 OHSAS 18001	PREPARED BY DRN BY A BHATTACHARJEE CHKD BY	SUBTT BY RECOMD BY APPD BY
	DRG NO.	DATE 20.11.17

Shah

24/11/17